
Feature -

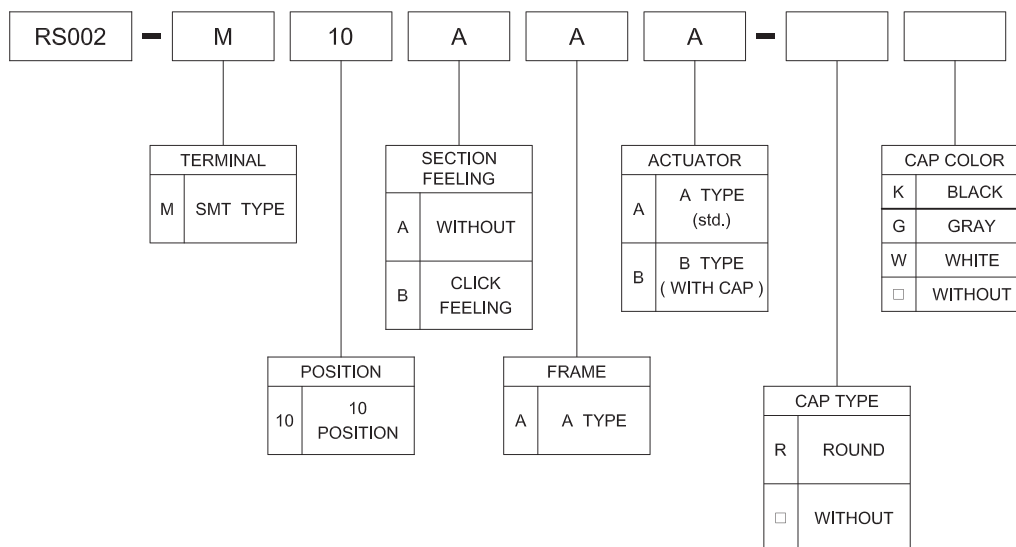
 small size
 1P10T

Application -

 digital cameras
 other audio / video device

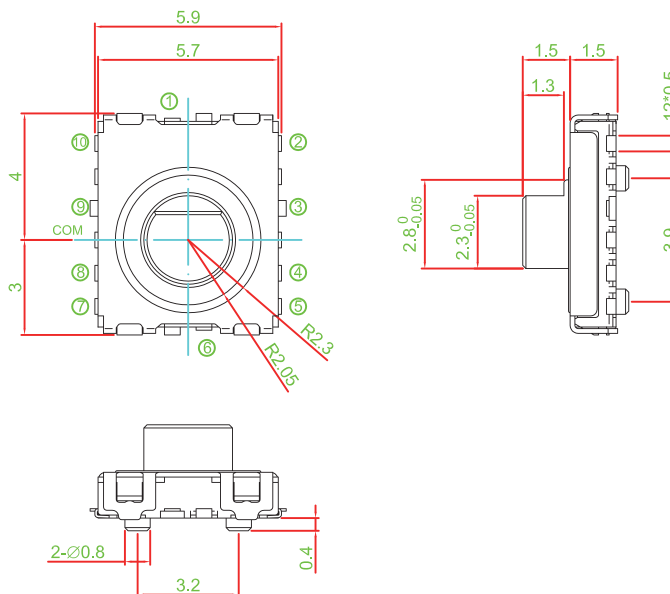
SPECIFICATIONS

SWITCH SPECIFICATIONS	
POLE - POSITION	SMT TYPE , 1P10T
CONTACT RATING	5 V DC , 10 mA
CONTACT RESISTANCE	1 Ω MAX. 1.5 V DC ; 100 mA , by Method of Voltage DROP
INSULATION RESISTANCE	100 MΩ MIN . 100 V DC for 1 minute
DIELECTRIC STRENGTH	Breakdown is not Allowable ; 100 V AC for 1 Minute
OPERATING FORCE	150 gf.cm MAX.
OPERATING LIFE	With movement click feeling : 5,000 cycles
	Without movement click feeling : 10,000 cycles
OPERATING TEMPERATURE RANGE	-20°C ~ 70°C

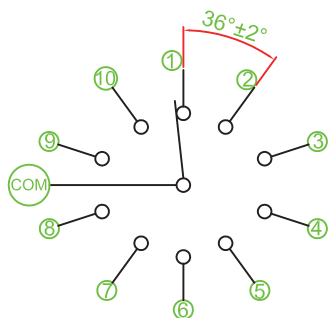
HOW TO ORDER


▶ DIMENSION

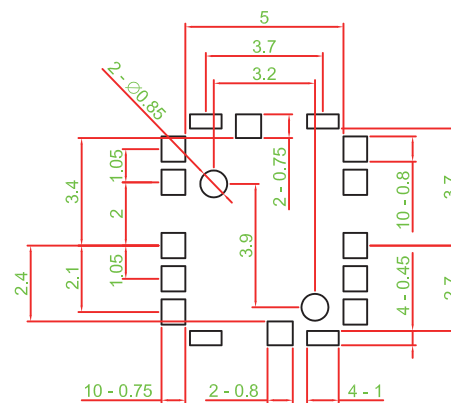
RS002-M10AAA



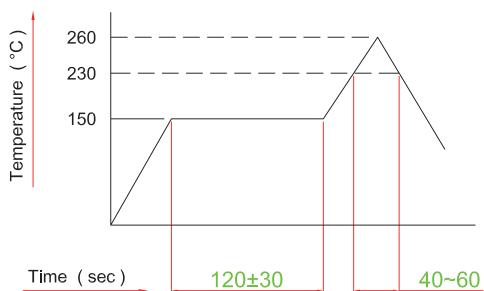
▶ CIRCUIT



▶ P.C.B. LAYOUT



▶ REFLOW SOLDERING



▶ MATERIAL

- COVER : SUS
- ACTUATOR : LCP + GF
- FRAME : LCP + GF
- TERMINAL :
PHOSPHOR BRONZE SILVER PLATING
- MOVING CONTACT :
PHOSPHOR BRONZE GOLD FLASH